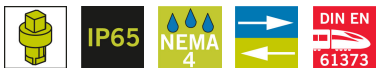


## 不锈钢抗振直角回转锁 30 毫米



抗振直角回转锁，适用于使用 DB 标准嵌件的铁路行业（火车行业）。防振性能可防止意外开启。适用顺时针或逆时针门锁开启或关合方式。防护等级达到 IP65，防水等级达到 NEMA 4。



### 材质

Cam: Steel, passivated  
Gaskets: NBR  
Housing: 不锈钢 303  
Insert: 钢, 镀锌  
螺母: 不锈钢  
O-ring: NBR

### 相关产品

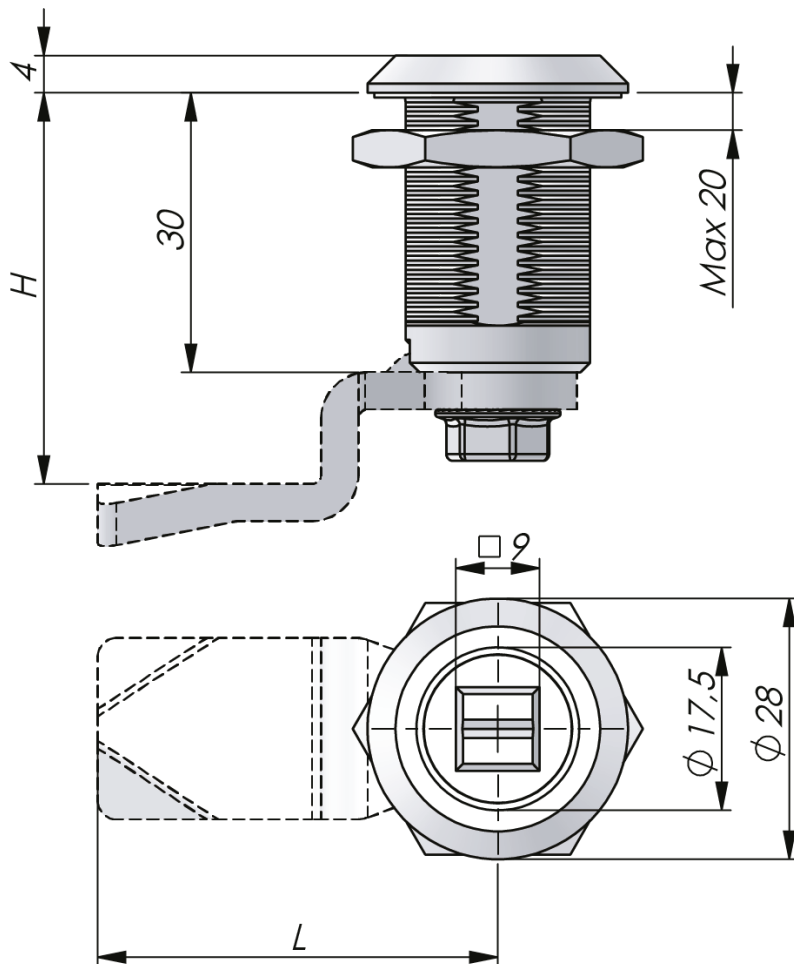
其它材质: 2-120  
类似产品: 6-134a  
锁舌: 2-510, 2-520, 2-480, 2-490  
索引编号见网站 [industrilas.com](http://industrilas.com)

### TESTS & STANDARDS

Latch is supplied with screw with mechanical thread lock.

开口尺寸: COMBI

标准: IP65, DIN EN 61373



**Industrilas**  
— When access counts —

每一栏选择对应的数字创建产品编号 (AAAA-BCCDEF-HHLL)

| AAAA Housing | B 螺母      | CC Insert             | D Material insert and housing | E 组装                   | F Cam     | HHLL H/L in mm         |           |              |
|--------------|-----------|-----------------------|-------------------------------|------------------------|-----------|------------------------|-----------|--------------|
| 2373 不锈钢 303 | 3 不锈钢 303 | 30 DB - Deutsche Bahn | 9 不锈钢 316                     | 0 IP54 - Not assembled | 3 不锈钢 304 | 0000 无锁舌               |           |              |
|              |           |                       | 3 不锈钢 303                     |                        |           | 0445 4 / 45            |           |              |
|              | 9 不锈钢 316 |                       |                               |                        |           | 1 IP65 - not assembled | 9 不锈钢 316 | 0645 6 / 45  |
|              |           |                       |                               |                        |           | 2 IP54 - enclosed cam  |           | 0845 8 / 45  |
|              |           |                       |                               |                        |           | 3 IP65 - enclosed cam  |           | 1045 10 / 45 |
|              |           |                       |                               |                        |           | 4 IP54 - assembled     |           | 1245 12 / 45 |
|              |           |                       |                               |                        |           | 5 IP65 - assembled     |           | 1445 14 / 45 |
|              |           |                       |                               |                        |           |                        |           | 1645 16 / 45 |
|              |           |                       |                               |                        |           |                        |           | 1845 18 / 45 |
|              |           |                       |                               |                        |           |                        |           | 2045 20 / 45 |
|              |           |                       |                               |                        |           |                        |           | 2245 22 / 45 |
|              |           |                       |                               |                        |           |                        |           | 2445 24 / 45 |
|              |           |                       |                               |                        |           |                        |           | 2645 26 / 45 |
|              |           |                       |                               |                        |           |                        |           | 2845 28 / 45 |
|              |           |                       |                               |                        |           |                        |           | 3045 30 / 45 |
|              |           |                       |                               |                        |           |                        |           | 3245 32 / 45 |
|              |           |                       |                               |                        |           |                        |           | 3445 34 / 45 |
|              |           |                       |                               |                        |           |                        |           | 3645 36 / 45 |
|              |           |                       |                               |                        |           |                        |           | 3845 38 / 45 |
|              |           |                       |                               |                        |           |                        |           | 4045 40 / 45 |
|              |           |                       |                               | 4245 42 / 45           |           |                        |           |              |
|              |           |                       |                               | 4445 44 / 45           |           |                        |           |              |
|              |           |                       |                               | 4645 46 / 45           |           |                        |           |              |
|              |           |                       |                               | 4845 48 / 45           |           |                        |           |              |
|              |           |                       |                               | 5045 50 / 45           |           |                        |           |              |

